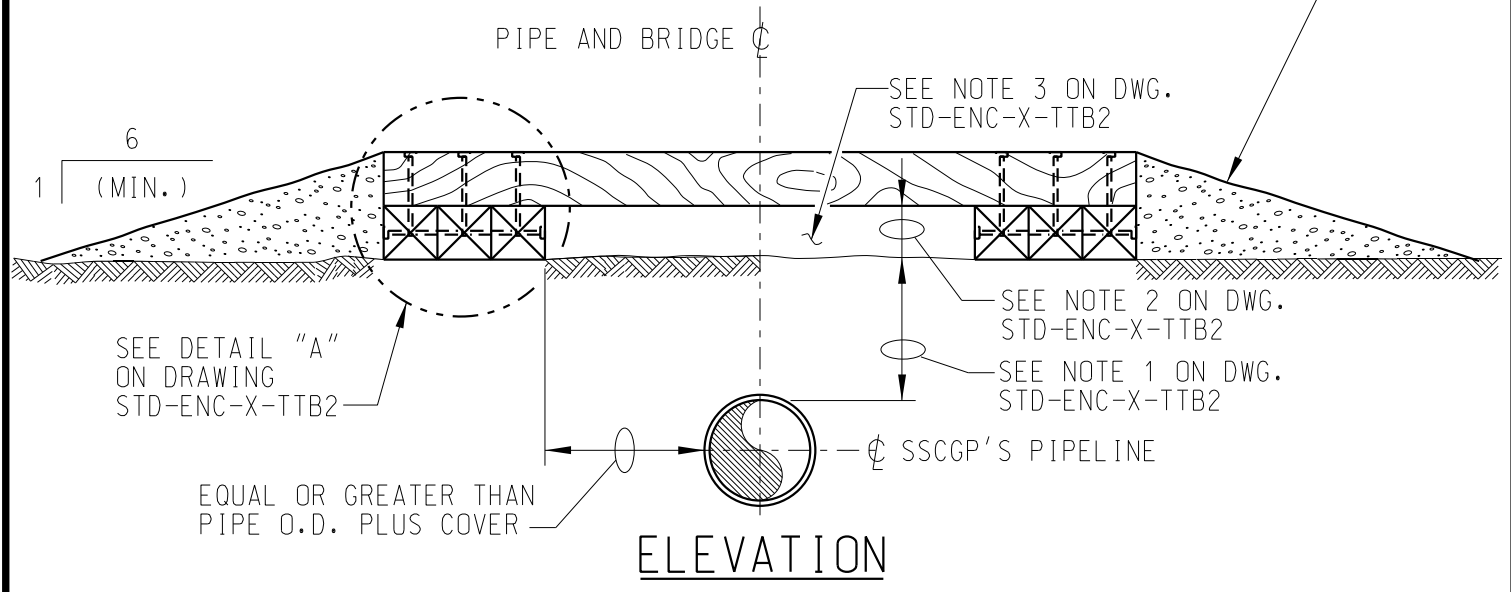


PLAN VIEW

ASTM C-33, SIZE NO. 2 OR 3. 1" TO 2 1/2"
 COARSE AGGREGATE OVER FILTER FABRIC
 (EXXON GTF-200 OR COMPANY APPROVED EQUAL)
 BOTH SIDES OF BRIDGE.



STANDARD ENCROACHMENT DETAILS
 FOR TEMPORARY TIMBER BRIDGE TO
 CROSS SSCGP'S PIPELINE

DRAWN BY: GLS		DATE: 05-05-2004		REV.	DATE	BY	DESCRIPTION	APP	SCALE: 1" = 1'-0"
CHECKED BY:		DATE:		0	05-05-2004	GLS	ORIGINAL ISSUE	RDH	P.I.N.
APPROVED BY: RDH		DATE: 05-28-2004		1	11-05-2007	JAK	REPLACED STD. DWG. 005-002-A-0211	RDH	DWG. NO.
				2	09-24-2013	FGI	REVISED DIMENSION TO ABUTMENT	DME	STD-ENC-X-TTB1