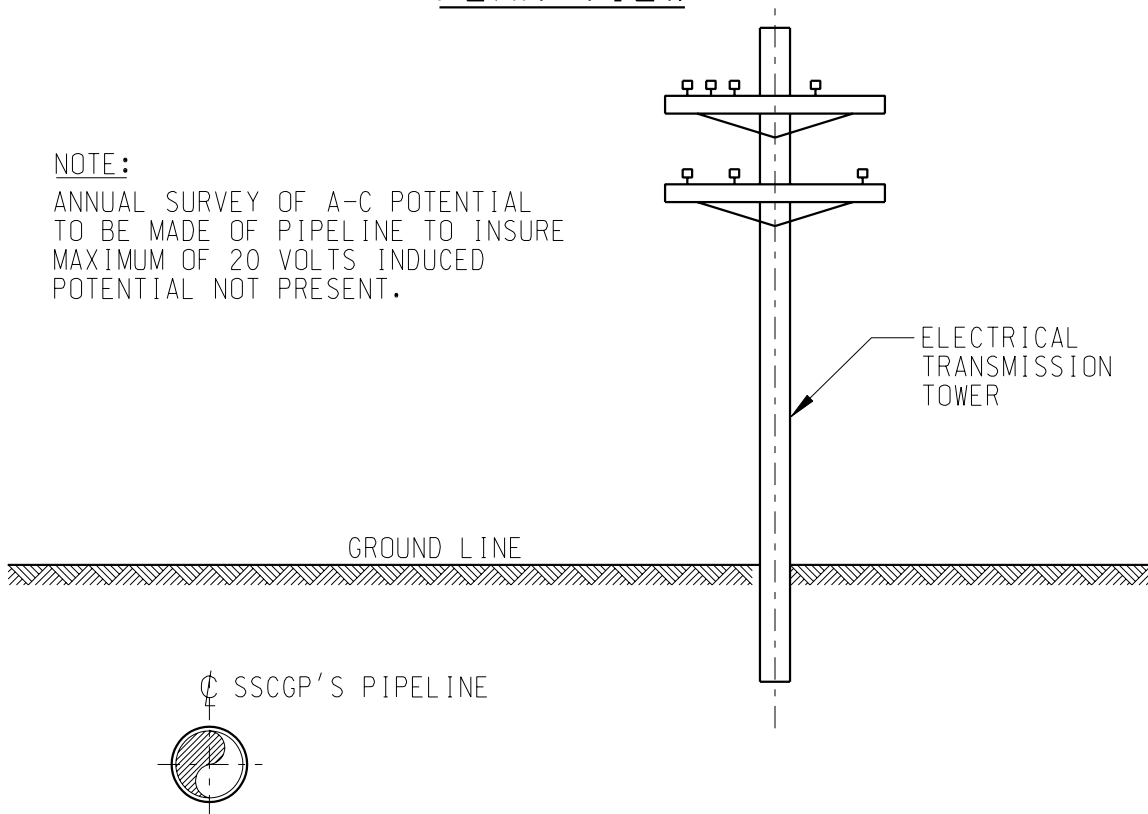


PLAN VIEW

NOTE:
 ANNUAL SURVEY OF A-C POTENTIAL
 TO BE MADE OF PIPELINE TO INSURE
 MAXIMUM OF 20 VOLTS INDUCED
 POTENTIAL NOT PRESENT.



ELEVATION



STANDARD ENCROACHMENT DETAILS
 FOR INSTALLATION OF OVERHEAD POWER LINES
 PARALLEL TO SSCGP'S PIPELINE

REV.	DATE	BY	DESCRIPTION	APP	SCALE: 1" = 1'-0"
0	05-05-2004	GLS	REVISED PER SSCGP STANDARDS	RDH	P. I. N.
1	11-05-2007	JAK	REPLACED STD. DWG. 005-090-A-0075	RDH	DWG. NO.
					STD-ENC-P-OPL

DRAWN BY: GLS DATE: 05-05-2004
 CHECKED BY: DATE:
 APPROVED BY: RDH DATE: 05-28-2004